

PINUM MULTIPURPOSE

TECHNICAL DATASHEET

MULTIPURPOSE DOOR

DESCRIPTION

Doors have been specially designed for use in junk rooms, cellars, schools, basements, engine rooms... Their excellent versatility and range of sizes and finish allow them to integrate in all situations..

OPENING DIMENSIONS

See table 1 & 2.
For other measures, consult our commercial department.

FRAME

-2 TYPES:
STD
Z

- Manufactured in 0.8 mm galvanised steel plate
- Comprising a top frame, a lower frame and two side frames welded together.
- They feature 6 anchor points to fix the door directly to the wall.

LEAF

- Manufactured in two 0.5 mm galvanised steel plates screwed and clamped together.
- They are stuffed with a honeycomb panel throughout the entire length.

Features:

Manufactured in semi-chemical paper 112 gr/m²
Does not generate smoke
Size of cell : 15 mm

- High Resistance to compression 2.2 Kg/cm²
 - Flatness
 - Hyper-reduced weight: 11.7 kg/m²
 - 100% Recyclable, environmentally friendly
 - Do not spread toxic gases in case of conflagration.
 - Do not use HCFC or HFC products.
 - Does not contain dangerous substances such as benzene or toluene.
- Plate and honeycomb glued together.

HINGES

- Manufactured in galvanised steel.
- They comprise 2 sections welded to the frame and screwed to the leaf and one pin to connect both sides of the hinge
- They include spurs that fit into the leaf to avoid the door from being removed once it has been closed.

LOCK

- Mark CE.
- Built into the leaf and reversible.
- Manufactured in steel
- Operated by 8 mm lock

Actuation System :

The set of accessories used to operate the lock are manufactured in steel, covered in black plastic and include a safety shield of the same material.

The assembly comes in parts and includes a set of handles made by with key shield and 70 mm cylinder lock.

If other types of opening system are required, please consult..

OPTIONAL ACCESSORIES

-Door-ventilated LP-V / LG-V.

-Herrajes:

- Latch lock with set of knobs:
- Built into the leaf and reversible.
- Manufactured in steel.
- Operated by 8 mm lock.

The set of accessories to operate the lock is made of dull stainless steel. A round shield of the same material.

The set is supplied unassembled and consists of a set of knobs with a cylinder shield, keys and a latch lock.

Consult the sales department for other hardware options

-The ventilation grilles are located at the top and lower section of the leaf and embossed to prevent water from entering

Total ventilation surface of 158.16 cm .

- Windbreaker in central section and exterior to prevent opening from outside.

FINISHES

- RAL 9010 (Standard). LP
- Galvanised steel plates (Special). LG
- Imitation wood (Optional). Frame RAL 8014
- According to RAL Charter (Optional).

DELIVERY / PACKAGING

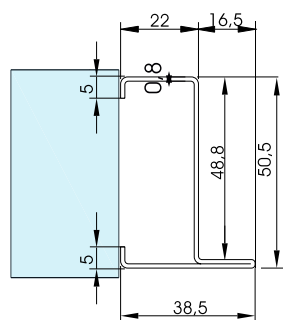
Doors assembled and packed on pallet.

PINUM MULTIPURPOSE

MEASURES AND SECTIONS

MULTIPURPOSE DOOR 1 LEAF FRAME STD

FRAME STD



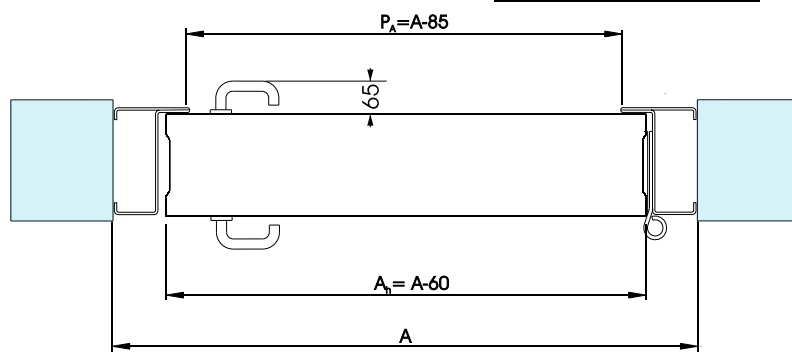
mm

A	A _h	P _A	C
700	640	615	40
800	740	715	90
900	840	815	140
1000	940	915	190

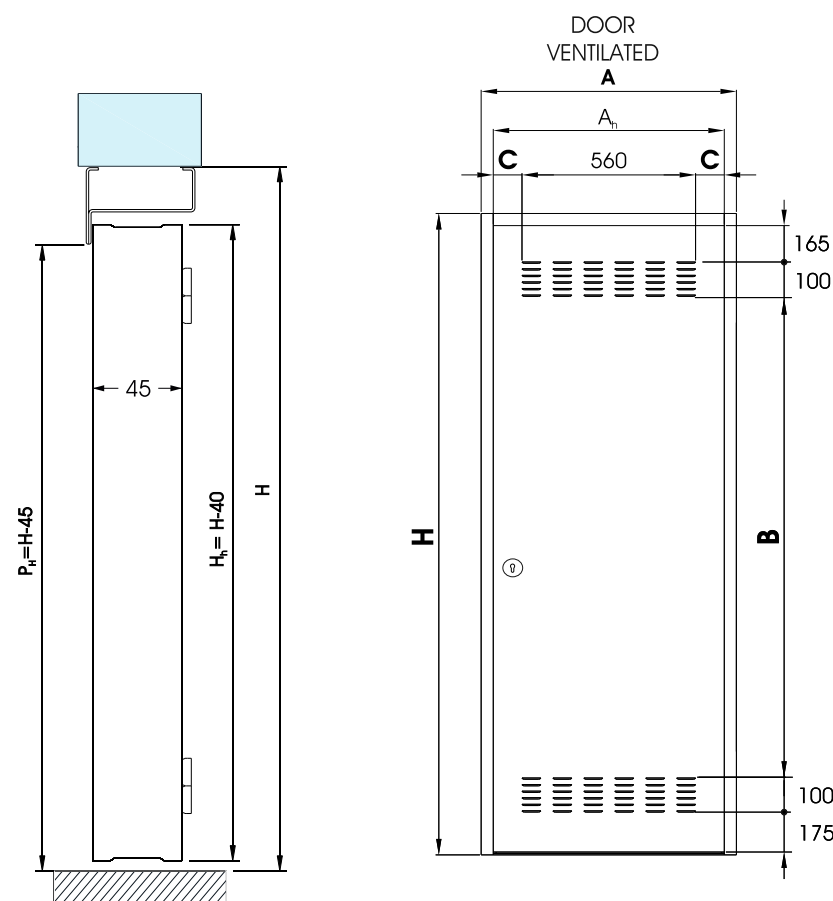
Tabla 1

H	H _h	P _H	B
2100	2060	2055	1520

A	H	P (KG)
700	2100	17,3
800		19,2
900		21,2
1000		24,8



- A: Opening width
- H: Opening height
- P_A: Free passage
- P_H: Height free passage
- A_h: Leaf width
- H_h: Leaf Height
- P: weight



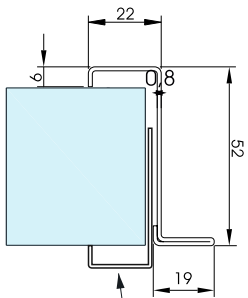
PINUM MULTIPURPOSE

MEASURES AND SECTIONS

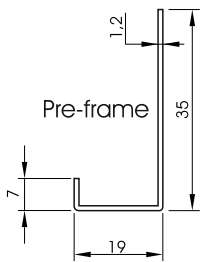
MULTIPURPOSE DOOR 1 LEAF FRAME Z

FRAME Z

FRAME Z, indicated for a smaller gap than the standard. It offers the possibility of placing a wall bracket / pre-frame adaptable to the thickness of the wall, leaving the entire perimeter of the door finished off.



pre-frame (optional)



- A: Opening width
- H: Opening height
- P_A: Free passage
- P_H: Height free passage
- A_n: Leaf width
- H_n: Leaf Height
- P: weight

mm							
A	A _n	P _A	C	H	H _n	P _H	B
660	640	615	40	2080	2060	2055	1520
760	740	715	90				
860	840	815	140				
960	940	915	190				

Tabla 2

A	H	P (KG)
660	2080	17,3
760		19,2
860		21,2
960		24,8

